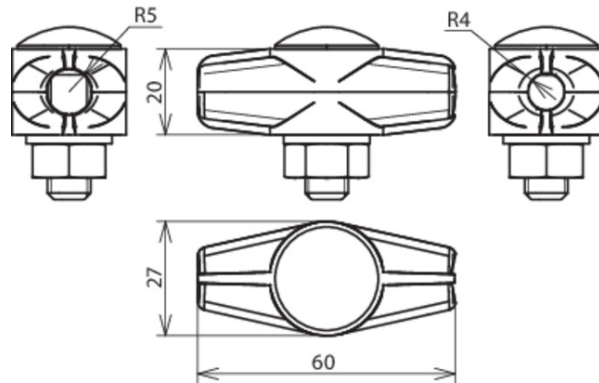




ESTK 8.10 ZG (463 010)



Figure without obligation



Type	ESTK 8.10 ZG
Part No.	463 010
Material	ZDC
Clamping range Rd / Rd	8 / 10 mm
Screw	⬆ M10 x 30 mm
Material of screw / nut	StSt
Standard	EN 62561-1
Weight	138 g
Customs tariff number (Comb. Nomenclature EU)	85389099
GTIN	4013364025493
PU	50 pc(s)

We reserve the right to introduce changes in performance, configuration and technology, dimensions, weights and materials in the course of technical progress. The figures are shown without obligation.