



ZMTK 6.10 FL30.40 CU STTZN (460 147)

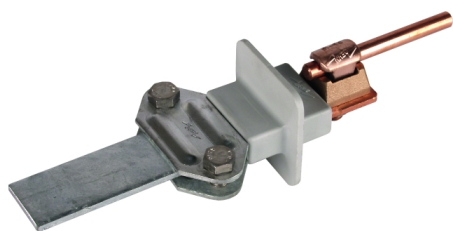
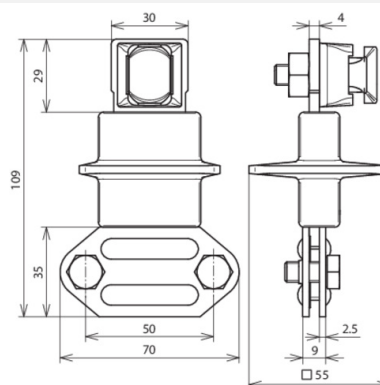


Figure without obligation



Type	ZMTK 6.10 FL30.40 CU STTZN
Part No.	460 147
Material	Cu / St/tZn
Clamping range Rd / FI	6-10 / 30-40 mm
Screw	⚙ M8 x 16 mm
Material of screw	StSt
Shield	plastic grey •
Standard	EN 62561-1
Weight	340 g
Customs tariff number (Comb. Nomenclature EU)	85389099
GTIN	4013364025349
PU	1 pc(s)

We reserve the right to introduce changes in performance, configuration and technology, dimensions, weights and materials in the course of technical progress. The figures are shown without obligation.