

FK MV 8.10 KBF0.7 10 CU (365 227)

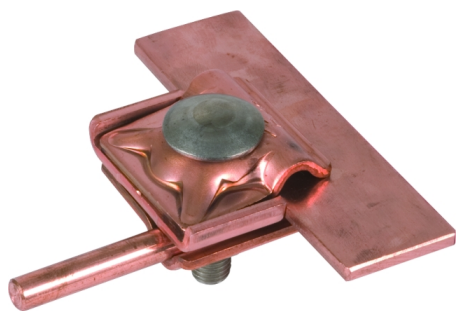
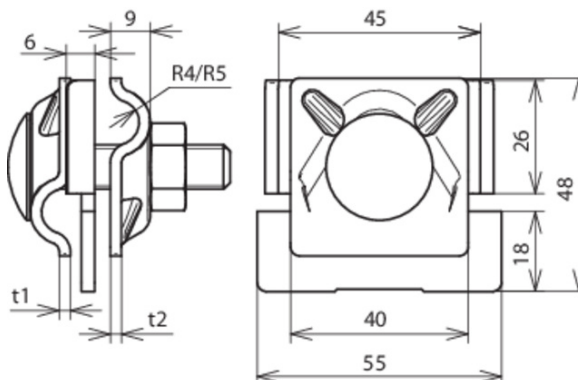


Figure without obligation



Type	FK MV 8.10 KBF0.7 10 CU
Part No.	365 227 ✓
Clamping range of seam	0.7-10 mm
Material of clamp	Cu
Clamping range Rd	8-10 mm
Screw	⬆ M10 x 45 mm
Material of screw / nut	StSt
Material thickness	3 / 3 mm
Standard	EN 62561-1
Weight	197 g
Customs tariff number (Comb. Nomenclature EU)	85389099
GTIN	4013364096127
PU	50 pc(s)

We reserve the right to introduce changes in performance, configuration and technology, dimensions, weights and materials in the course of technical progress. The figures are shown without obligation.