



## FK KB 6.10 KBF0.7 8 W V2A (365 059)

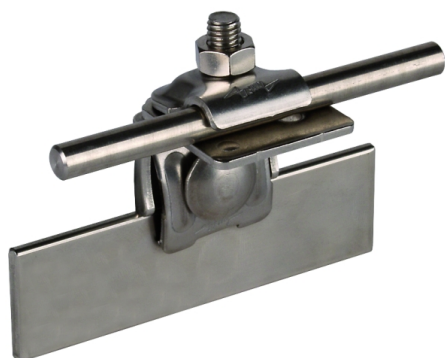
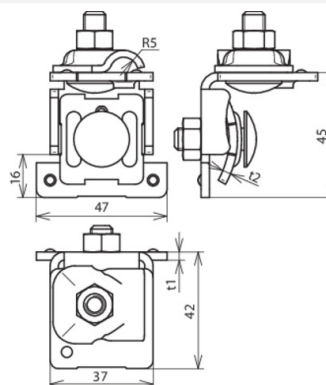


Figure without obligation



| Type  | FK KB 6.10 KBF0.7 8 W V2A |
|---|---------------------------|
| Part No.                                      | 365 059                   |
| Clamping range of seam                        | 0.7-8 mm                  |
| Material of clamp                             | StSt                      |
| Clamping range Rd                             | 6-10 mm                   |
| Screw   | ⬆ M8 x 25 mm              |
| Material of screw / nut                       | StSt                      |
| Material thickness                            | 2.5 / 2.5 mm              |
| Standard                                      | EN 62561-1                |
| Weight  | 134 g                     |
| Customs tariff number (Comb. Nomenclature EU) | 85389099                  |
| GTIN  | 4013364091856             |
| PU  | 50 pc(s)                  |

We reserve the right to introduce changes in performance, configuration and technology, dimensions, weights and materials in the course of technical progress. The figures are shown without obligation.