



FK KB 6.10 KBF0.7 8 W AL (365 051)

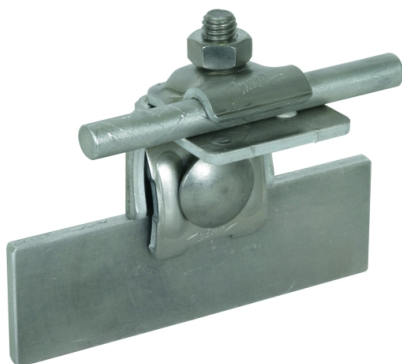
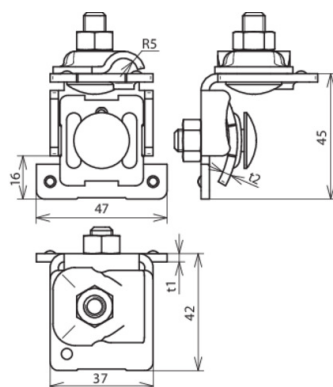


Figure without obligation



Type	FK KB 6.10 KBF0.7 8 W AL
Part No.	365 051
Clamping range of seam	0.7-8 mm
Material of clamp	Al
Clamping range Rd	6-10 mm
Screw	☝ M8 x 25 mm
Material of screw / nut	StSt
Material thickness	3 / 3 mm
Standard	EN 62561-1
Weight	75 g
Customs tariff number (Comb. Nomenclature EU)	85389099
GTIN	4013364091832
PU	50 pc(s)

We reserve the right to introduce changes in performance, configuration and technology, dimensions, weights and materials in the course of technical progress. The figures are shown without obligation.