



FK KB 6.10 KBF0.7 8 W STTZN (365 050)

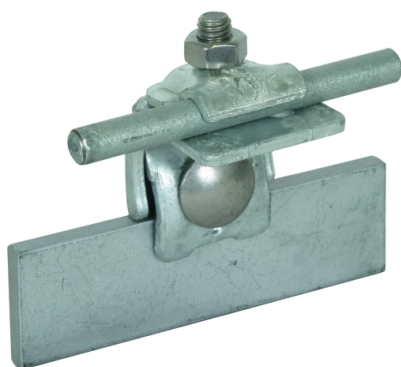
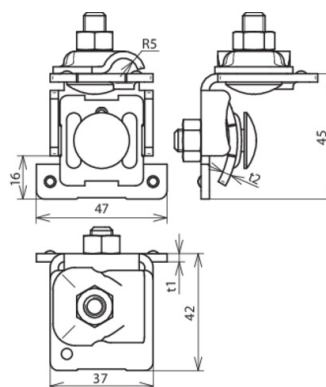


Figure without obligation



Type	FK KB 6.10 KBF0.7 8 W STTZN
Part No.	365 050
Clamping range of seam	0.7-8 mm
Material of clamp	St/tZn
Clamping range Rd	6-10 mm
Screw	🔩 M8 x 25 mm
Material of screw / nut	StSt
Material thickness	3 / 3 mm
Standard	EN 62561-1
Weight	155 g
Customs tariff number (Comb. Nomenclature EU)	85389099
GTIN	4013364091825
PU	50 pc(s)

We reserve the right to introduce changes in performance, configuration and technology, dimensions, weights and materials in the course of technical progress. The figures are shown without obligation.