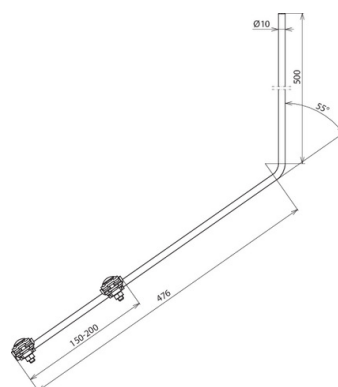


FSPS 10 1000 W55 FK AL (101 110)



Figure without obligation



Type	FSPS 10 1000 W55 FK AL
Part No.	101 110
Total length	1000 mm
Material	Al
Diameter Ø	10 mm
Max. gust wind speed	224 km/h
Weight	305 g
Customs tariff number (Comb. Nomenclature EU)	85389099
GTIN	4013364138704
PU	1 pc(s)

We reserve the right to introduce changes in performance, configuration and technology, dimensions, weights and materials in the course of technical progress. The figures are shown without obligation.

Special lengths of all air-termination rods / self-supporting air-termination rods are available upon request.