



FK KB 6.10 KBF0.7 8 W V2A (365 059)

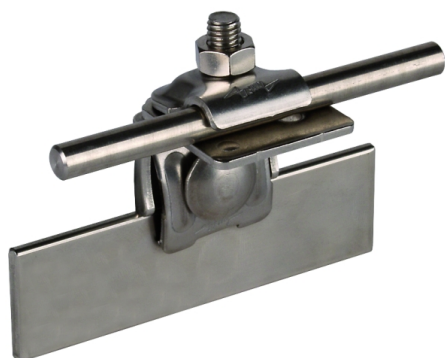
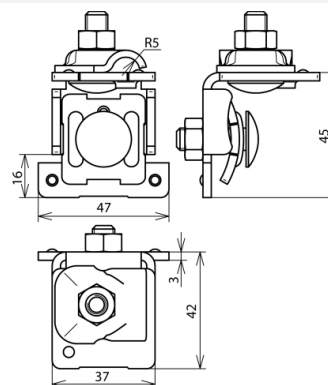


Figure without obligation



Type	FK KB 6.10 KBF0.7 8 W V2A
Part No.	365 059
Material of roof conductor holder	StSt
Material thickness (t1)	3 mm
Clamping range	0.7-8 mm
Type of conductor holder	clamping frame
Material of conductor holder	StSt
Conductor holder support Rd	6-10 mm
Conductor leading	fixed
Screw	⬆ M8 x 25 mm
Material screw / nut	StSt
Standard	EN 62561-1
Weight	134 g
Customs tariff number (Comb. Nomenclature EU)	85389099
GTIN	4013364091856
PU	50 pc(s)

We reserve the right to introduce changes in performance, configuration and technology, dimensions, weights and materials in the course of technical progress. The figures are shown without obligation.