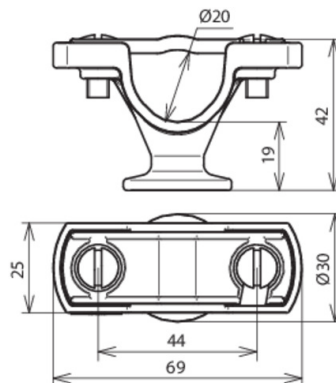


**LH ZS 20 H19 IGM8 GR PA (275 220)**



Figure without obligation



Type	LH ZS 20 H19 IGM8 GR PA
Part No.	275 220
Conductor leading	fixed
Material of screw	PA
Type	UV stabilised
Material of conductor holder	PA
Conductor holder support Rd	20 mm
Height of conductor holder	19 mm
Fixing	Ø6.5 mm
Thread	M8
Screw	🔩 M6 x 16
Weight	17 g
Customs tariff number (Comb. Nomenclature EU)	85389099
GTIN	4013364103450
PU	25 pc(s)

We reserve the right to introduce changes in performance, configuration and technology, dimensions, weights and materials in the course of technical progress. The figures are shown without obligation.