

IW 17.5 890 650 180 (785 408)

- For standing surface insulation
- Circumferential, fluorescent marker tape indicates the maximum permissible height of the planting vegetation and serves as reflector for night-time use
- Two exchangeable kneeling cushions for comfortable working

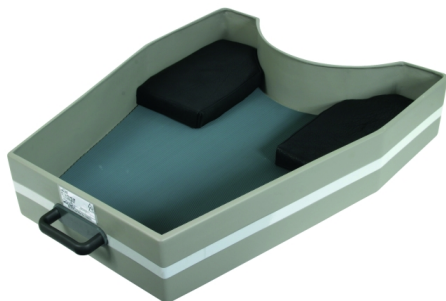


Figure without obligation

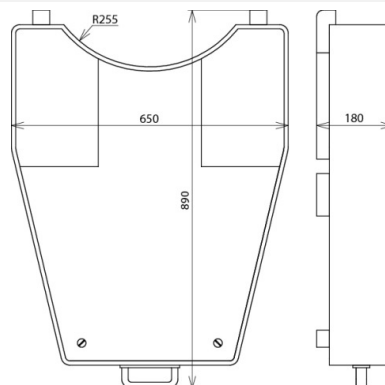


Figure without obligation

Type	IW 17.5 890 650 180
Part No.	785 408
Nominal voltage up to (U_N)	17.5 kV
Dimensions	890 x 650 x 180 mm
Material	Glass-fibre reinforced plastic
Standard	Based on DIN VDE 0681-1
Temperature range	-25 °C ... +55 °C
Weight	9,8 kg
Customs tariff number (Comb. Nomenclature EU)	39269097
GTIN	4013364117914
PU	1 pc(s)

We reserve the right to introduce changes in performance, configuration and technology, dimensions, weights and materials in the course of technical progress. The figures are shown without obligation.